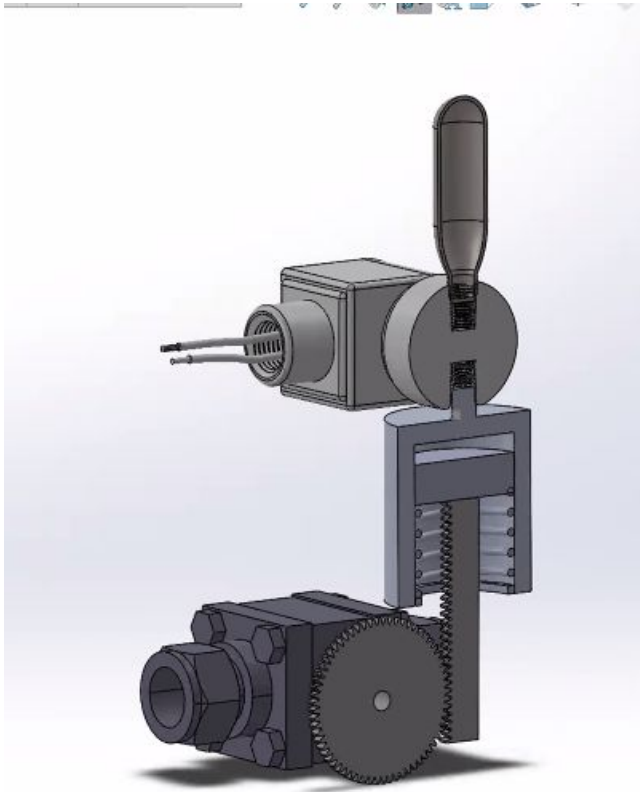


Number of people in attendance: 16

Valve Actuation:

Piston seal O-ring research done last night (Sam), designs for preventing extrusion.
Looking for parts on McMaster. Discussion on wearing, lubricant, actuation time, weight.

Preliminary design decision: CO2 canister with solenoid to actuate rack and pinion. Need something to hold this assembly together (outer structure). Also need a way to break the seal on the CO2 canister.



Tanks:

Structural testing sample didn't cure in time to test, postponed to next week.
SamTech COPV quote was ridiculously high. Should look into manufacturing our own tanks.

Jalapeno Computer:

Transferring phase diagram into pseudocode, still working on this.